

# PP4000 AC PowerPack

AC/DC Converter to Supply PS2-4000 Pump Systems with Backup Power from a Generator or Mains Supply

## ORDER INFORMATION

- Item no.: 19-000180      **Product name:** Power Pack 4000 380 V AC
- Item no.: 19-000181      **Product name:** Power Pack 4000 460 V AC



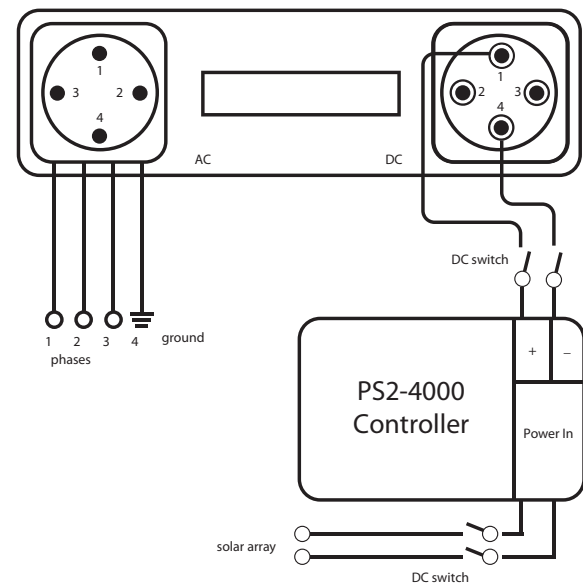
photo may differ from actual product

## TECHNICAL DATA

Power Pack 4000 380 V AC	Power Pack 4000 460 V AC
3-Phase AC input 380 V (±20 %) 45 to 65Hz	3-Phase AC input 460 V (±15 %) 45 to 65Hz
DC output: 180-286 V DC 5.7 kW	DC output: 230-330 V DC 6.6 kW
DC output rated current: 20 A at 230 V DC	DC output rated current: 20 A at 330 V DC

- Must be protected from direct mid-day sun
- IP20
- Ambient temperature: -5 to 45°C
- Efficiency up to 94%
- Passive cooling, no fan
- All wires must be #14 AWG (2.5 mm<sup>2</sup>) or larger
- Manual with further information is available on PartnerNET
- Meets the requirements for CE

Figure 1: Wiring



## DIMENSION/WEIGHT

- Packaging dimensions: 332 x 210 x 202 mm / 15.7 x 8.7 x 8.3 in
- Total weight: 14.5 kg / 30 lbs